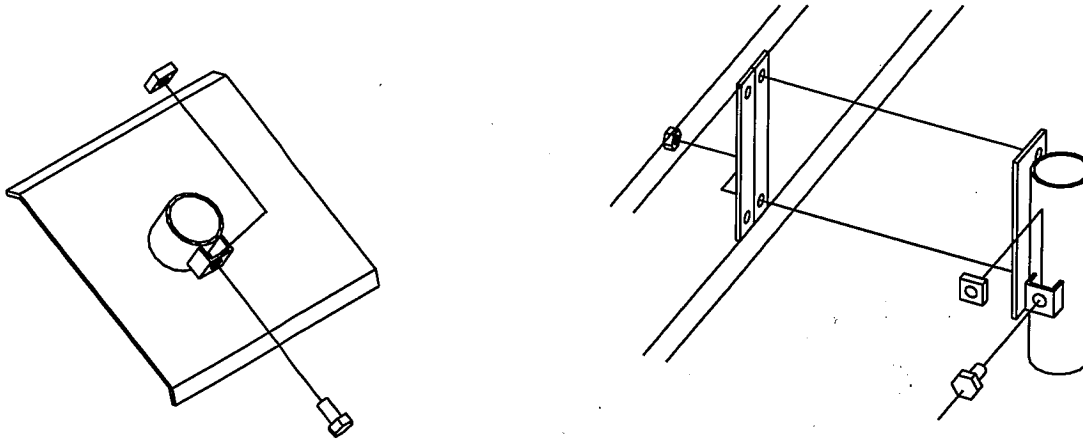


# #1007/1007G/1038/1038G/1045 ACCESSORIES



955 INDUSTRIAL STREET N.E. PINE CITY, MINNESOTA 55063  
320-629-6737 (OFFICE) • 320-629-3677 (FAX)  
www.dakadock.com



## 1038 STABILIZER SLEEVES/1007 FOOT PADS

**PURPOSE:** Permits adding stabilizing posts to DAKA Dock systems. Steel docks up to 32' and aluminum docks up to 24' long may not require stabilizers, but docks longer than this do require stabilizers.

**NOTE:** SEE DOCK DIAGRAMS PROVIDED BY YOUR DEALER.

DOCK LENGTH	STABILIZERS REQUIRED	LOCATION
40' Straight	1 pair	16'
48' Straight	1 pair	24'
56' Straight	1 pair	24'

Docks over 40' usually use additional wheel end sections with hinge assembly for ease of handling.

**INSTRUCTIONS:** Install stabilizer sleeve through mounting holes at end of dock section, one on each side of dock at the positions indicated in chart above, tighten mounting bolts using  $\frac{1}{2}$ " wrench. Slip pipe (1045) down through sleeve to lake bottom. Using log or nearby piece of scrap wood, pound pipe into lake bottom. Tighten set bolt using  $\frac{3}{4}$ " wrench. **DO NOT OVER TIGHTEN.** Walk on deck to check flex before allowing others to use.

Pipe support sleeves also may be used as an effective shore end anchor system by installing a pair at the shore end of the DAKA Dock and then driving 2' - 3' pipes through them into the shore.

For additional protection, you may wish to cover the exposed ends of pipes with plastic or rubber caps available from your DAKA Dock dealer.

## 1007 FOOT PADS (ONE PAIR)

**PURPOSE:** Provides footing for stabilizer posts on soft lake bottoms. Also for use as shore end anchor pipe supports, if desired.

**INSTRUCTIONS:** Attach to end of stabilizer pipe (1045) after passing it through stabilizer sleeve. Tighten set bolt. **DO NOT OVERTIGHTEN.**