

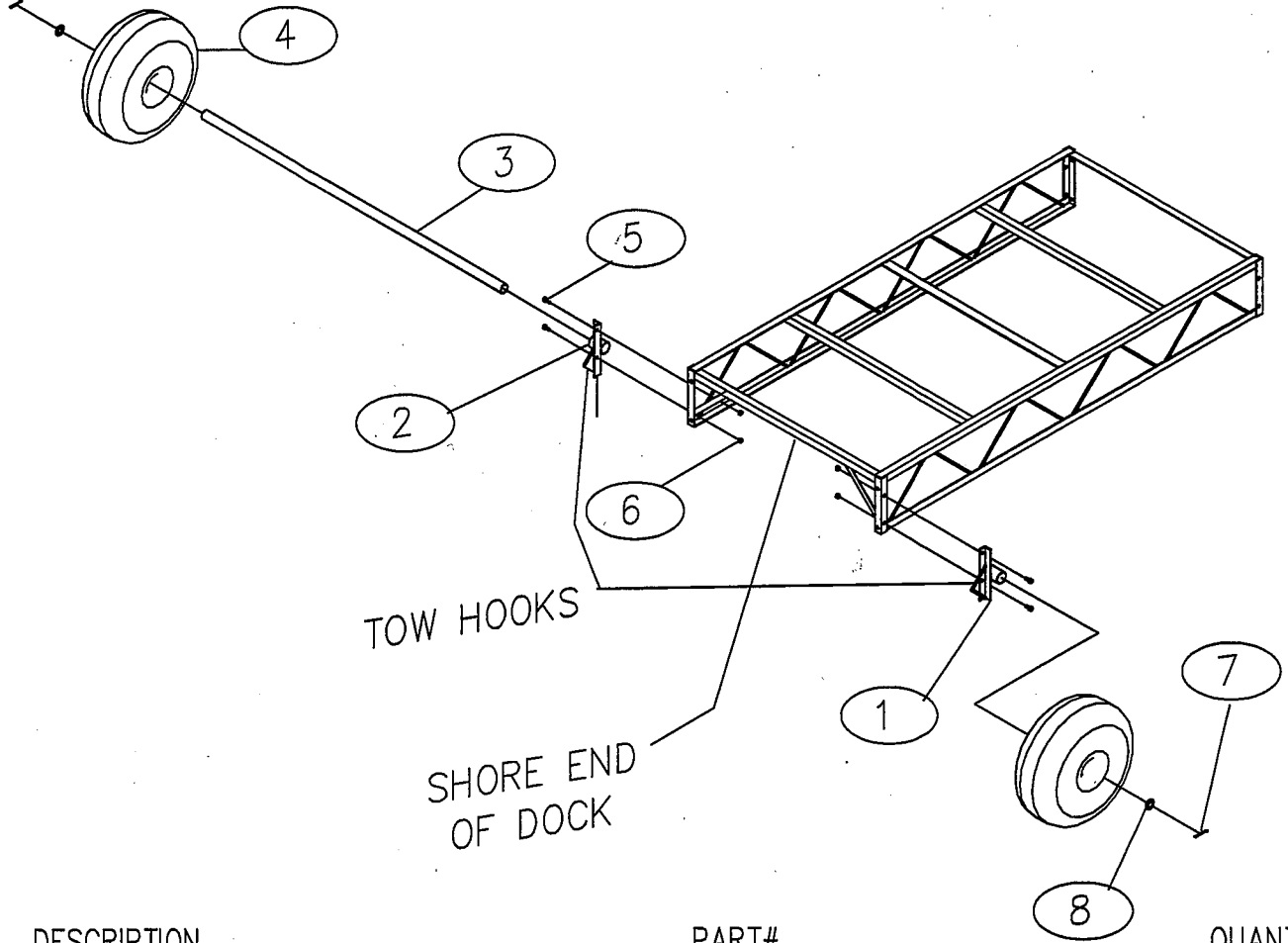
BOLT BAG #41130

#1036/1036G

SHORE END WHEEL KIT



955 INDUSTRIAL STREET N.E. PINE CITY, MINNESOTA 55063
 320-629-6737 (OFFICE) • 320-629-3677 (FAX)
 www.dakadock.com



KEY#	DESCRIPTION	PART#	QUANTITY
1.	BRACKET ASSEMBLY - RIGHT	1036R	1
2.	BRACKET ASSEMBLY - LEFT	1036L	1
3.	AXLE 76"	80830110	1
4.	PLASTIC WHEEL	42150	2
	BOLT BAG	41130	1
5.	HEX BOLT 3/8X1	HB381	4
6.	HEX NUT 3/8 ZINC	HN38	4
7.	COTTER PIN 1/4X2 1/2	CP14212	2
8.	WASHER 2"	61840021	2
9.	INSTRUCTIONS	66881036	1
10.	PLASTIC BAG 6 X 10	69660027	1



ASSEMBLY INSTRUCTIONS

#1036/1036G SHORE END WHEEL KIT (BOLT BAG 41130)

1. Using the 3/8" x 1" hex bolts (Key 5) and the 3/8" flange nuts (Key 6), attach the left and right bracket assemblies (Keys 1 & 2) to the side of the shore end section. Note that the axle will run through frame of the dock. If a Ramp Kit Part #1053 or #1054 is going to be installed on the dock along with this Shore End Wheel Kit Part #1036 it is necessary to mount the Hinge Plates (part #80831001) from the ramp kit in between shore end wheel kit bracket assemblies and the side of the shore end section.
2. Slide the axle (Key 3) through sleeves on brackets.
3. Slide the plastic wheels (Key 4) onto each end of axle, then install the 2" washer and lock into place using cotter pins (Key 7).

USE INSTRUCTIONS

The shore end wheels make it easy to move your DAKA dock without heavy lifting. Hook a tow rope or chain through the vees for moving the dock out of the water. Many owners remove the wheels once the dock is in position to keep it from moving unnecessarily, or install stabilizer posts along side of dock to lock it in place with wheels on. The high step onto the dock with wheels on can be reduced using a 4' or 8' ramp kit available from your dealer.

CAUTION:

To prevent wheels from floating dock or lift, drill eight (8) 3/8" diameter holes in plastic wheel in the side wall near tread pattern. This allows wheel to fill with water for submersion in water and also to drain for removal from water.