

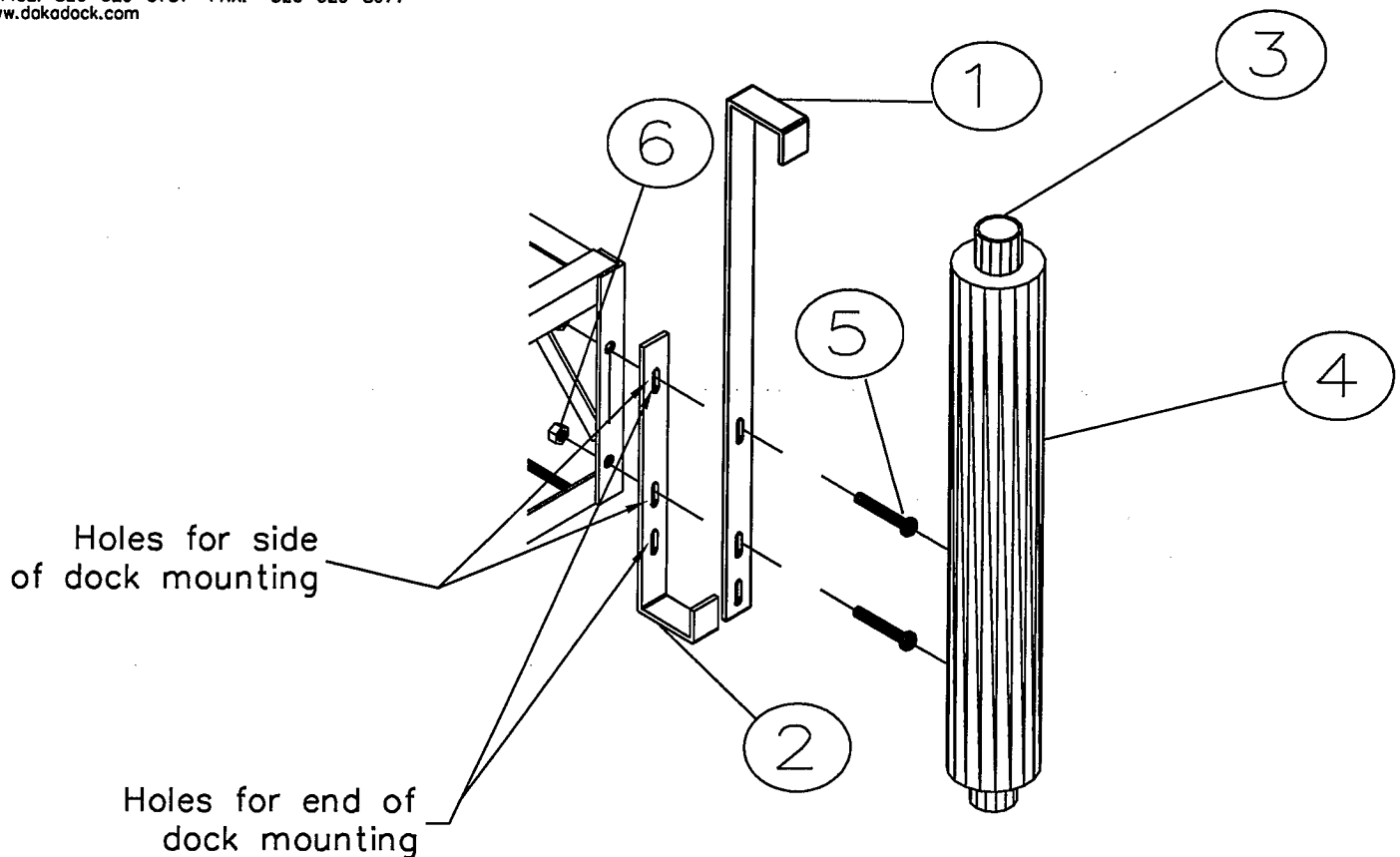
BOLT BAG #41140

#1046

PVC FOAM DOCK BUMPERS



955 INDUSTRIAL ST. N.E., PINE CITY, MN 55063
OFFICE: 320-629-6737 FAX: 320-629-3677
www.dokadock.com



KEY#	DESCRIPTION	PART#	QUANTITY
1.	LONG BRACKET	80831015	1
2.	SHORT BRACKET	80831016	1
3.	PVC 1½ X 30	80831020	1
4.	FOAM BUMPER	80831030	1
	BOLT BAG	41140	1
5.	CARRIAGE BOLT 5/16X1½ ZINC	CB516112	2
6.	FLANGE NUT 5/16	FLN516	2
7.	INSTRUCTIONS	66881046	1
8.	PLASTIC BAG 8X40	69680015	1

ASSEMBLY INSTRUCTIONS

1. Dock bumpers may be installed along the side of the dock or on the end of the dock using the holes provided.