

# BOLT BAG #41172

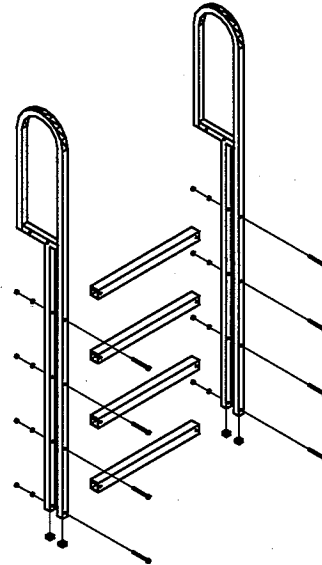
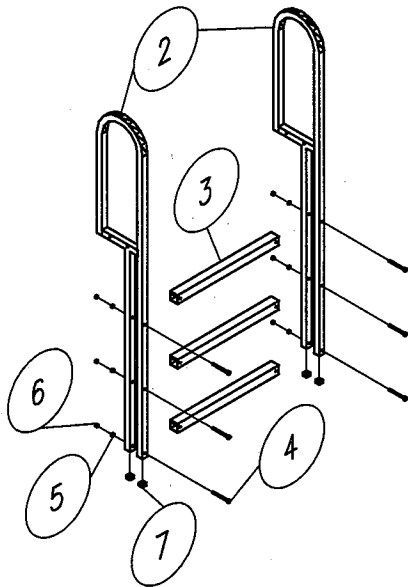
## #1049ASD/1050ASD

### ALUM LADDER

### 4'x10' SECTIONAL



955 INDUSTRIAL ST. N.E. PINE CITY, MN 55063  
 320-629-6737 (OFFICE) 320-629-3677 (FAX)  
 www.dakadock.com



#### ASSEMBLY INSTRUCTIONS FOR 3 AND 4 RUNG ALUMINUM LADDER

1. Slide rungs (key 3) into ladder side frames (key 2) watching so holes line up.
2. Use bolts (key 4), flat washers (key 5) and acorn nuts (key 6) to secure rungs (head of bolts to front of ladder, flat washers and acorn nuts to rear). Tighten nuts.
3. Install plastic caps (key 7) in bottom of side frame.

KEY#	DESCRIPTION	PART#	QUANTITY
1.	3 RUNG LADDER / 4 RUNG LADDER	1049A/1050A	1
2.	LADDER SIDE FRAME 3 RUNG / 4 RUNG	80831049/80831048	2
3.	LADDER RUNG	80830916	3 OR 4
	BOLT BAG	41172	
4.	MACHINE SCREW 1/4" X 3 3/4"	SCM14334	12
5.	FLAT WASHER	FW14SAE	8
6.	CAP NUT 1/4"	CPN14	6 OR 8
7.	PLASTIC CAPS	82831165	8
8.	MOUNTING TUBE	80830912	2
9.	CLEVIS PIN 1/4" X 2 1/4"	CLP38214	2
10.	SPRING CLIP FOR 3/8" CP#11	80831100	2
11.	MOUNTING PLATES	80830909	4
12.	FLANGE NUTS 1/4"	FLN14	6
13.	CARRIAGE BOLT 1/4" X 7"	CB147	2
14.	INSTRUCTIONS	66831049A	1
15.	PLASTIC BAG 6X10	69660027	1

# ASSEMBLY INSTRUCTIONS—ALUM LADDER 4' X 10' SECTIONAL

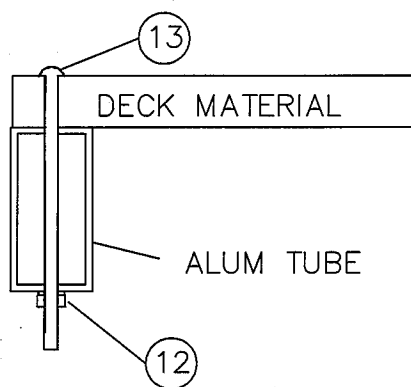


FIGURE A

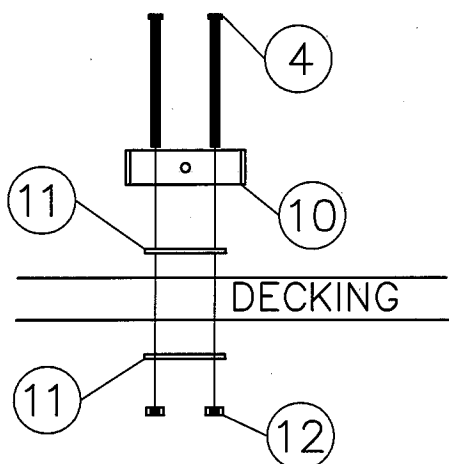
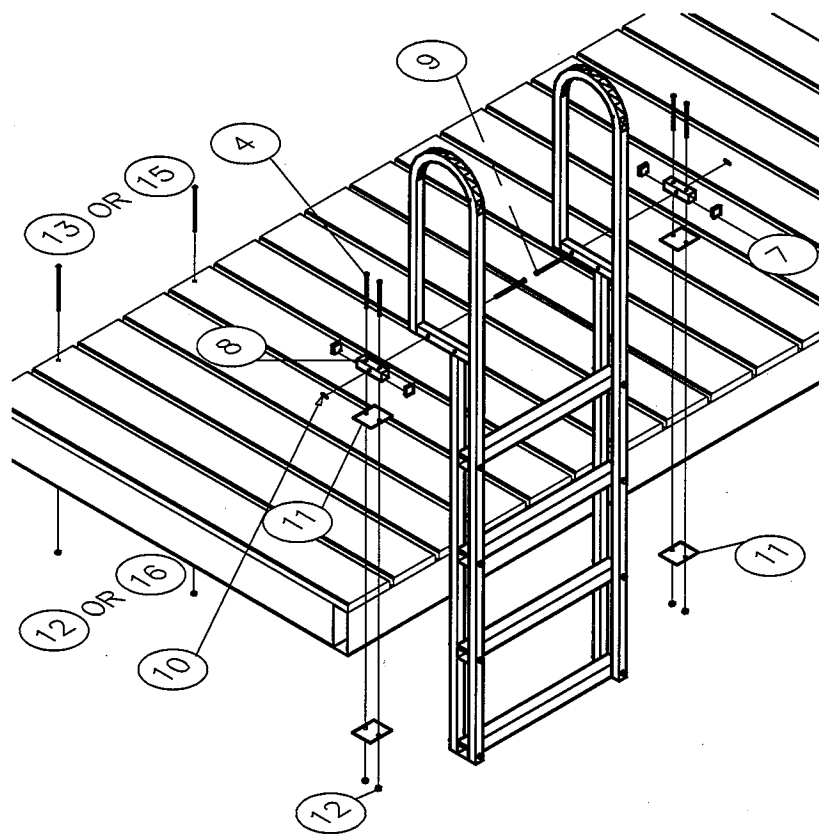


FIGURE B



## MOUNTING 3 OR 4 RUNG LADDER TO 4x10 SECTIONAL DOCK

1. Install plastic caps (Key 7) in mounting tube (Key 8).
2. Fasten mounting tube (Key 8) to back mounting hole in ladder side frame with clevis pin (Key 9) and spring clip (Key 10). See Diagram above.
3. Set ladder in desired location. NOTE: Check for obstructions on underside of dock and reposition if required. Using the mounting tube (Key 8) as a template, mark and drill 1/4" holes through decking.
4. Install mounting plates (Key 11) under mounting tube (Key 8) and on underside of decking with (4) machine screws/bolts (Key 4) and (4) flange nuts (Key 16). See Diagram above.
5. The deck panel that the ladder is mounted on must be fastened down on the opposite side of the ladder. Refer to Figure A for deck fastening.

## MAINTENANCE

1. Whenever ladder is out of the water, routinely clean ladder rungs to reduce slipperiness.
2. The ladder is designed for easy removal and install. It should be removed when not in use for long periods. We recommend removing ladder before removing dock from water; this will help reduce chances of ladder being damaged due to ground clearance issues. Annually inspect all nuts and bolts for deterioration and tightness. Replace and/or tighten if necessary.