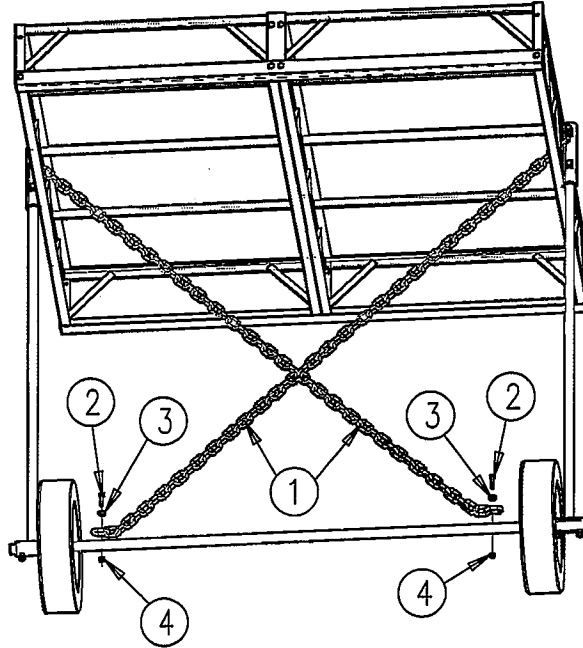
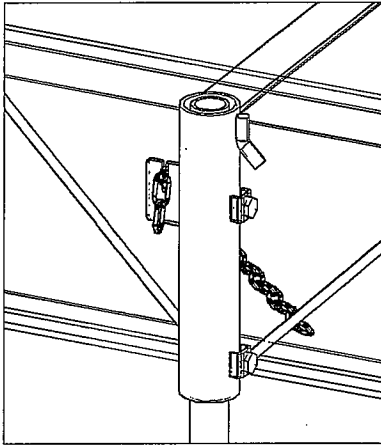


# #1051 ANTI-SWAY KIT 8X8 PLATFORM



955 INDUSTRIAL ST. N.E., PINE CITY, MN 55063  
320-629-6737 (OFFICE) - 320-629-3677 (FAX)  
www.dakadock.com



KEY#	DESCRIPTION	PART#	QUANTITY
1.	CHAIN 10'-6"	82831045	2
2.	HEX BOLTS 1/4" x 2 3/4"	HB14234	2
3.	FLAT WASHER 1/4"	FW14	2
4.	HEX NUTS 1/4"	HN14	2
5.	INSTRUCTIONS	66881051	1
6.	PLASTIC BAG	69680010	1

## ASSEMBLY INSTRUCTIONS

- Put 1/4" flat washer (key 3) on 1/4" x 2 3/4" hex bolt and washer (key 2). Place bolt and washer assembly through last loop of chain and attach it to axle by placing it through hole in axle and fastening 1/4" hex nut.
- Take end of loose chain and attach it to chain holder on opposite side on upright sleeve assembly.
- To tighten anti-sway kit, adjust dock to desired height, using #1037 Winch Set. Once at desired height, lower dock approximately 4" to 6" and retighten chains in chain holders, then raise dock back to desired height using winches.
- Once dock is at desired height and chains on anti-sway kit are tight, make sure to tighten set bolts on upright sleeve assembly.