



*Durable docks & lifts
designed for lake life*



We've been waiting for you

DAKA has been a family business for nearly 50 years. Starting as a structural steel fabricator, we know how to engineer the most durable and highest quality docks and lifts available.

Lightweight DAKA docks also offer ultimate versatility. Any dock can be configured in a "U", "H", or "T" with platforms or super platforms.

Let your imagination be your guide.

Whether making your first-ever dock purchase, or finally building the dock of your dreams; you're in the right place.

DAKA docks and lifts are designed for lake life.



Choosing the Perfect Dock

LAKE SHORE Gradual	
LAKE BOTTOM Hard, Sandy, Rocky	LAKE BOTTOM Muddy
WATER LEVEL Shallow to Deep	WATER LEVEL Deep
WATER FLUCTUATION Moderate	WATER FLUCTUATION Above Average
ROLL-IN DOCKS Truss-Style Pg. 4	FLOATING DOCKS Truss-Style Pg. 5 Low Profile Pg. 13

LAKE SHORE Gradual to Steep		
LAKE BOTTOM Hard, Sandy, Rocky		
WATER LEVEL Shallow to Deep		
Up to 2' WATER FLUCTUATION	Up to 3' WATER FLUCTUATION	Up to 5' WATER FLUCTUATION
ROLL-IN DOCKS Low Profile Flush Mount Easy Adjust Pg. 9	ROLL-IN DOCKS Low Profile Above Deck Easy Adjust Pg. 10	ROLL-IN DOCKS Low Profile Classic Winch Adjust Pg. 11

LAKE SHORE Steep	
LAKE BOTTOM Hard, Sandy, Rocky	LAKE BOTTOM Muddy
WATER LEVEL Shallow to Deep	WATER LEVEL Deep
WATER FLUCTUATION No	WATER FLUCTUATION Above Average
SECTIONAL DOCKS Low Profile Pg. 12	FLOATING DOCKS Low Profile Pg. 13



A woman with long brown hair, wearing a white t-shirt and blue shorts, is sitting on a white dock. She is looking towards the left. Behind her is a large pontoon boat with a white canopy and a black stripe. The boat is on a body of water, and there are trees in the background. The scene is lit with warm, golden light, suggesting late afternoon or early morning.

Truss-style Docks

EXCEPTIONAL STRENGTH AND DURABILITY

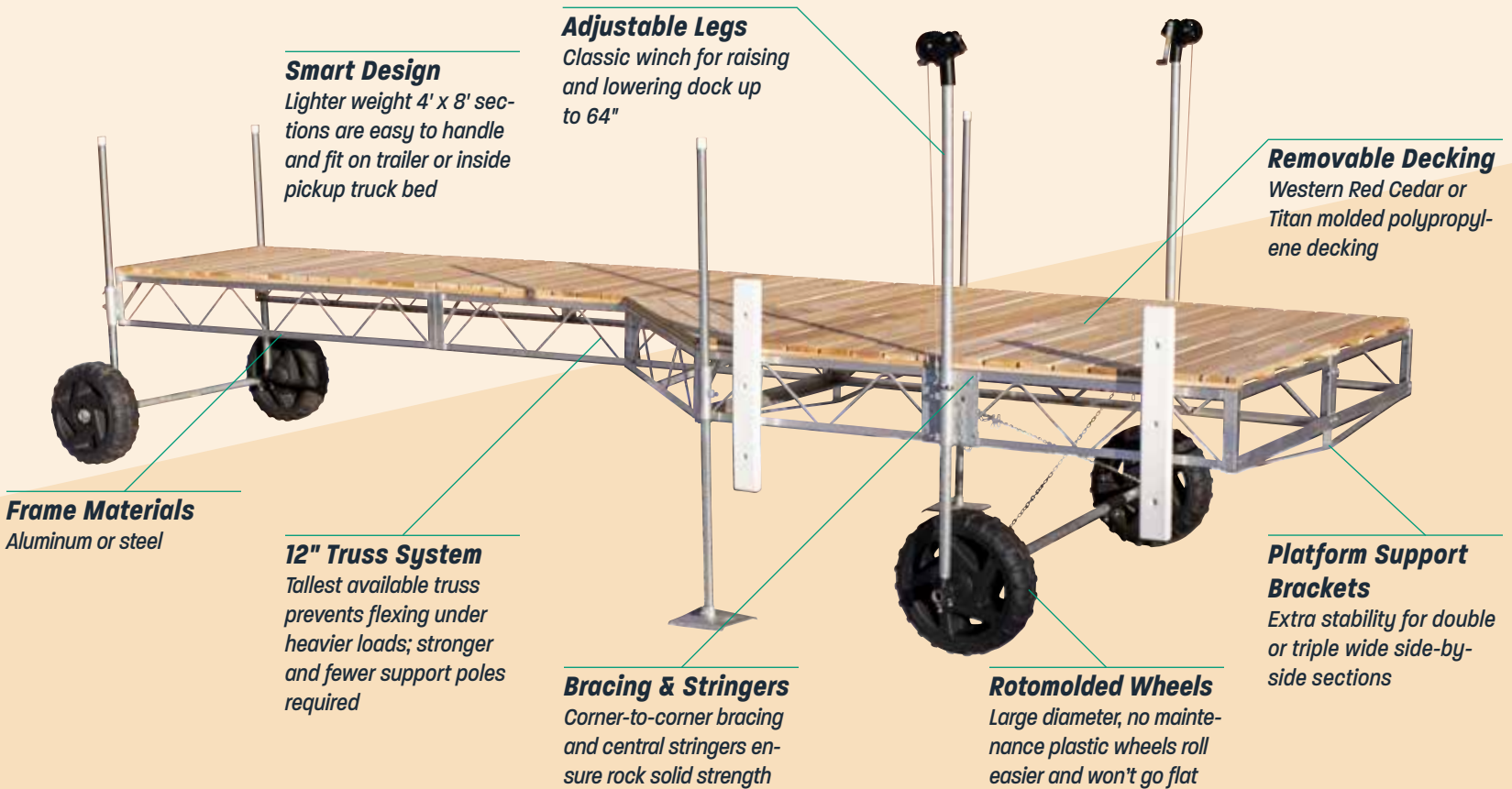
Make it easy to enjoy a day on the lake with a dock you can trust. Featuring lightweight aluminum or budget-friendly steel trusses, DAKA truss-style docks provide 12" deep joists to create a rigid structure for exceptional strength and durability. They are lightweight and configurations can be any length or layout, making it easy to build the dock of your dreams.

Roll-in

Truss-style Docks

Get rolling with strength and durability

Perfect for: gradual-slope lakeshore with hard, sandy or rocky bottoms and shallow-to-deep water with large fluctuations



Floating

Truss-style Docks

Versatile and durable in any environment

Perfect for: muddy-bottom shorelines and/or deep or fluctuating water levels



Construction

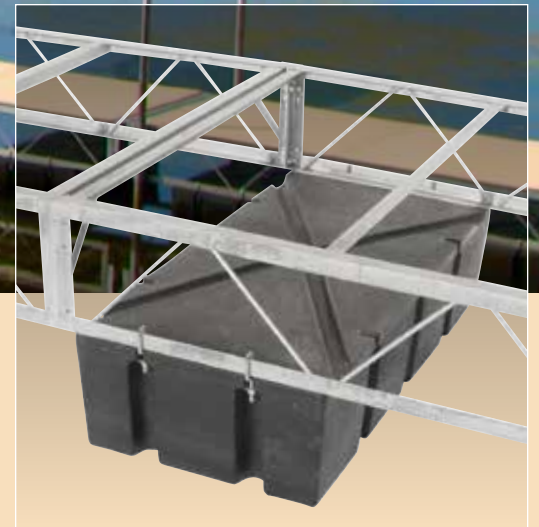
Floating Truss-style docks include the same features as Roll-in Truss-style docks (minus the wheels!)

Self-leveling

Maintenance-free adjustment to changing water levels

Floats

Foam-filled polyethylene-covered floats support up to 450 pounds each







Low Profile Style Docks

SLEEK AND STURDY VERSATILITY

Your dock will look picture-perfect with our proprietary low profile design, featuring no visible holes, nuts, or bolts. This extruded aluminum dock offers exceptional versatility with a beautiful finish and sturdy performance. Easy to customize with whatever accessories you need or in whatever configuration you want, low profile docks are a stunning choice for any lakeshore.

Features

Low Profile Style Dock



Sleek

Our seven-inch extruded aluminum frames look as smart as they are strong. Your dock will have major shore appeal with recessed decking and our proprietary design with no visible holes, nuts, or bolts. Custom configuration available, including extra wide five-foot frames.

Strong

Built with a super strong marine-grade aluminum alloy, our low profile docks include a three stringer support system and corner-to-corner cross bracing to eliminate sway. You'll also enjoy the lasting quality of stainless steel bolts and brass nuts that won't rust or seize over time.

Simple

All you need is a cordless drill to change your dock's level topside with our flush mount or above deck easy adjust legs. Our three-piece telescoping design features up to 32 inches of adjustment, with more length available on our classic winch adjust legs. Multi-direction wheels make placement no problem.

Attach Accessories Easily



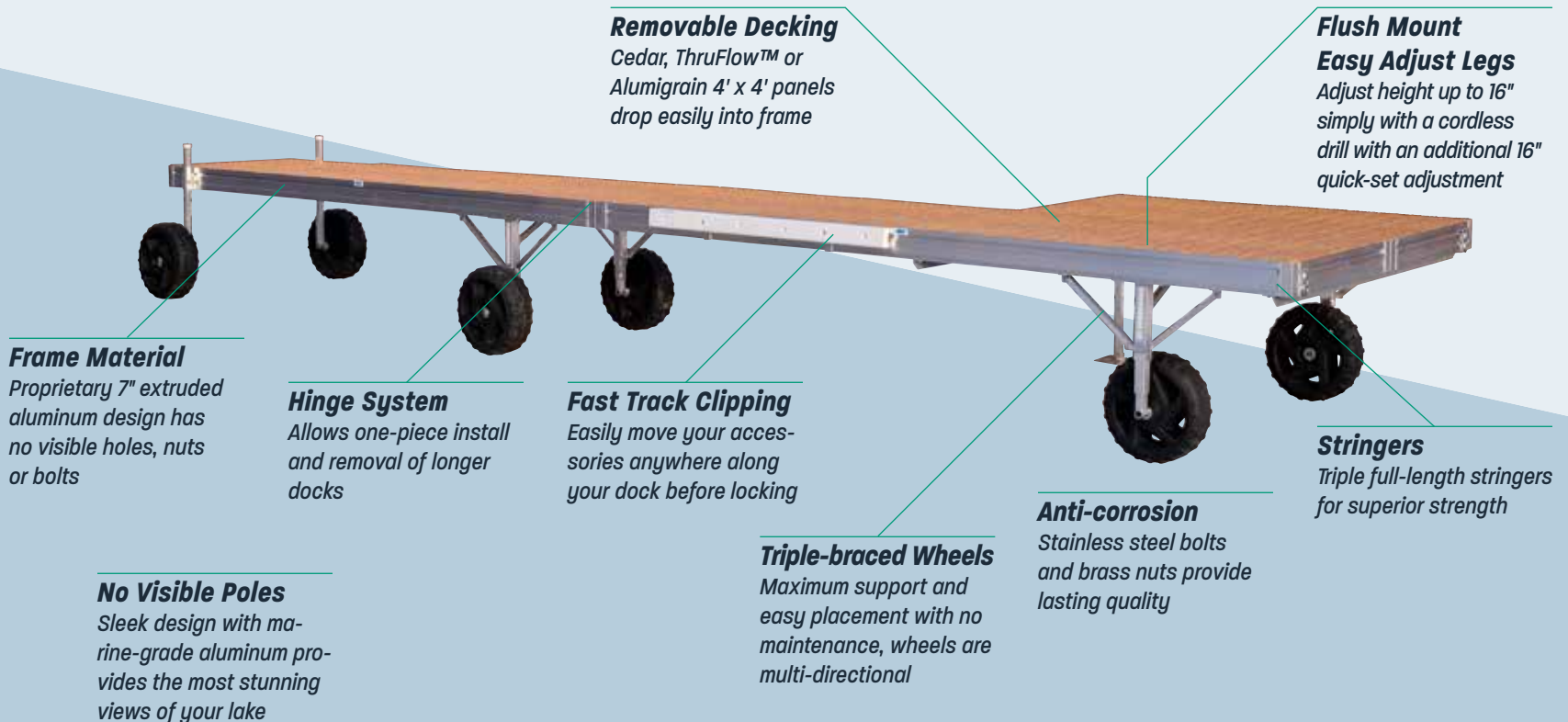
Fast Track Clipping System allows accessories to slide along your dock, then lock in place with a hidden nut channel.

Roll-in

Flush Mount Easy Adjust Low Profile Style Docks

Height adjustment to 32"

Perfect for: gradual to steep lakeshore with hard, sandy or rocky bottoms and water fluctuations up to 2'

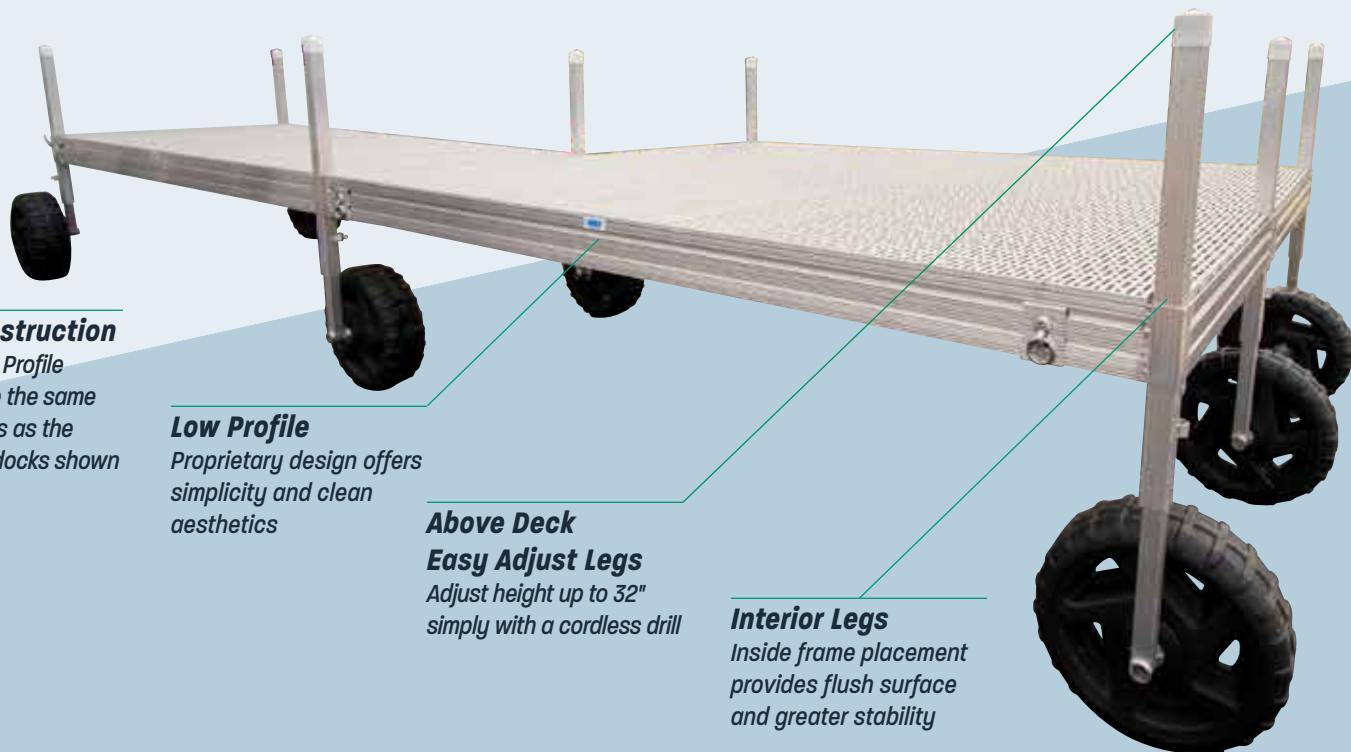


Roll-in

Above Deck Easy Adjust Low Profile Style Dock

Height adjustment to 32"

Perfect for: gradual to steep lakeshore with hard, sandy or rocky bottoms and water fluctuations up to 3'



Frame Construction

All Roll-in Low Profile Docks include the same frame features as the Flush Mount docks shown on page 9

Low Profile

Proprietary design offers simplicity and clean aesthetics

Above Deck Easy Adjust Legs

Adjust height up to 32" simply with a cordless drill

Interior Legs

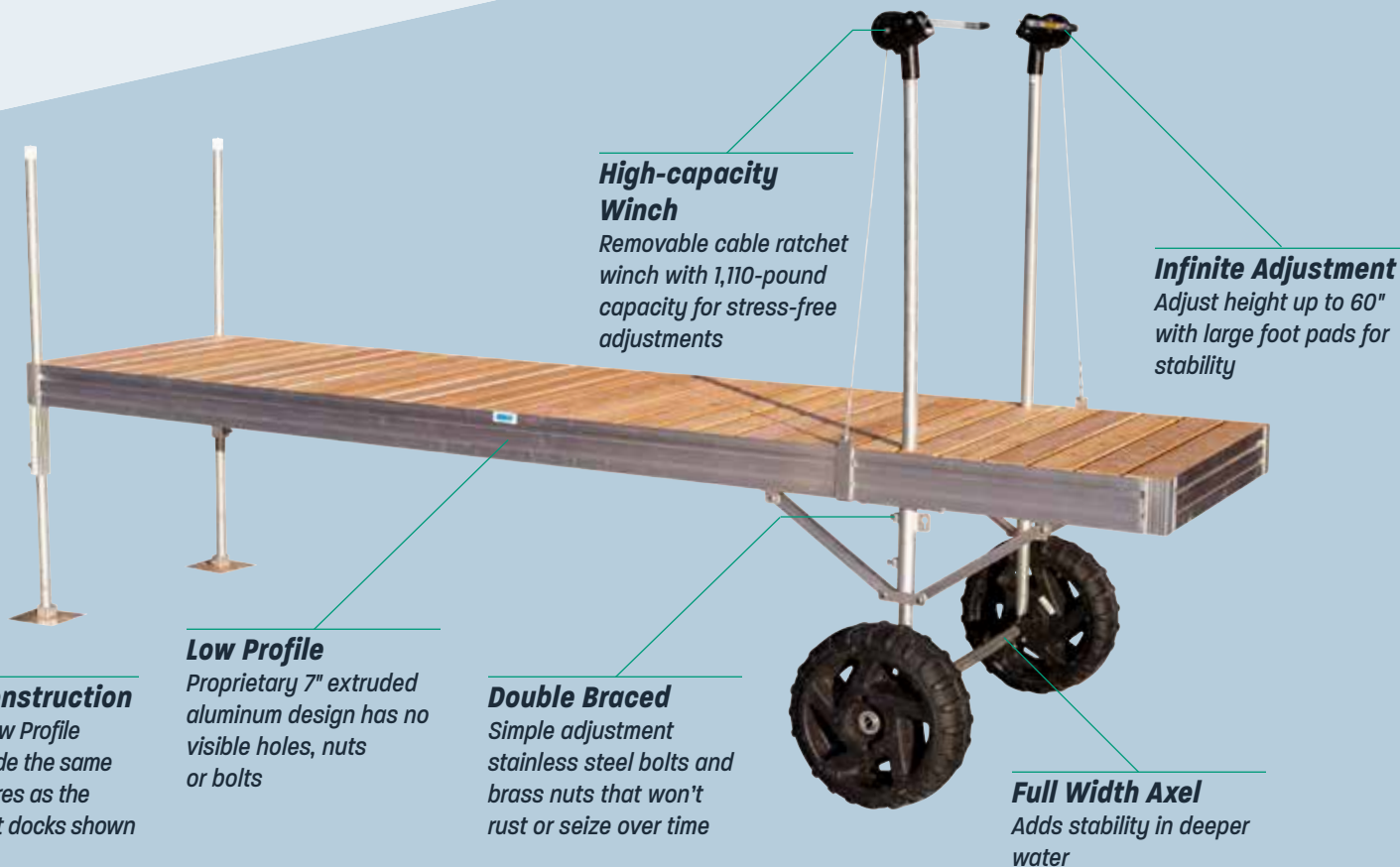
Inside frame placement provides flush surface and greater stability

Roll-in

Classic Winch Adjust Low Profile Style Dock

Height adjustment to 60"

Perfect for: gradual to steep lakeshore with hard, sandy or rocky bottoms and water fluctuations up to 5'



High-capacity Winch

Removable cable ratchet winch with 1,110-pound capacity for stress-free adjustments

Infinite Adjustment

Adjust height up to 60" with large foot pads for stability

Low Profile

Proprietary 7" extruded aluminum design has no visible holes, nuts or bolts

Double Braced

Simple adjustment stainless steel bolts and brass nuts that won't rust or seize over time

Full Width Axle

Adds stability in deeper water

Frame Construction

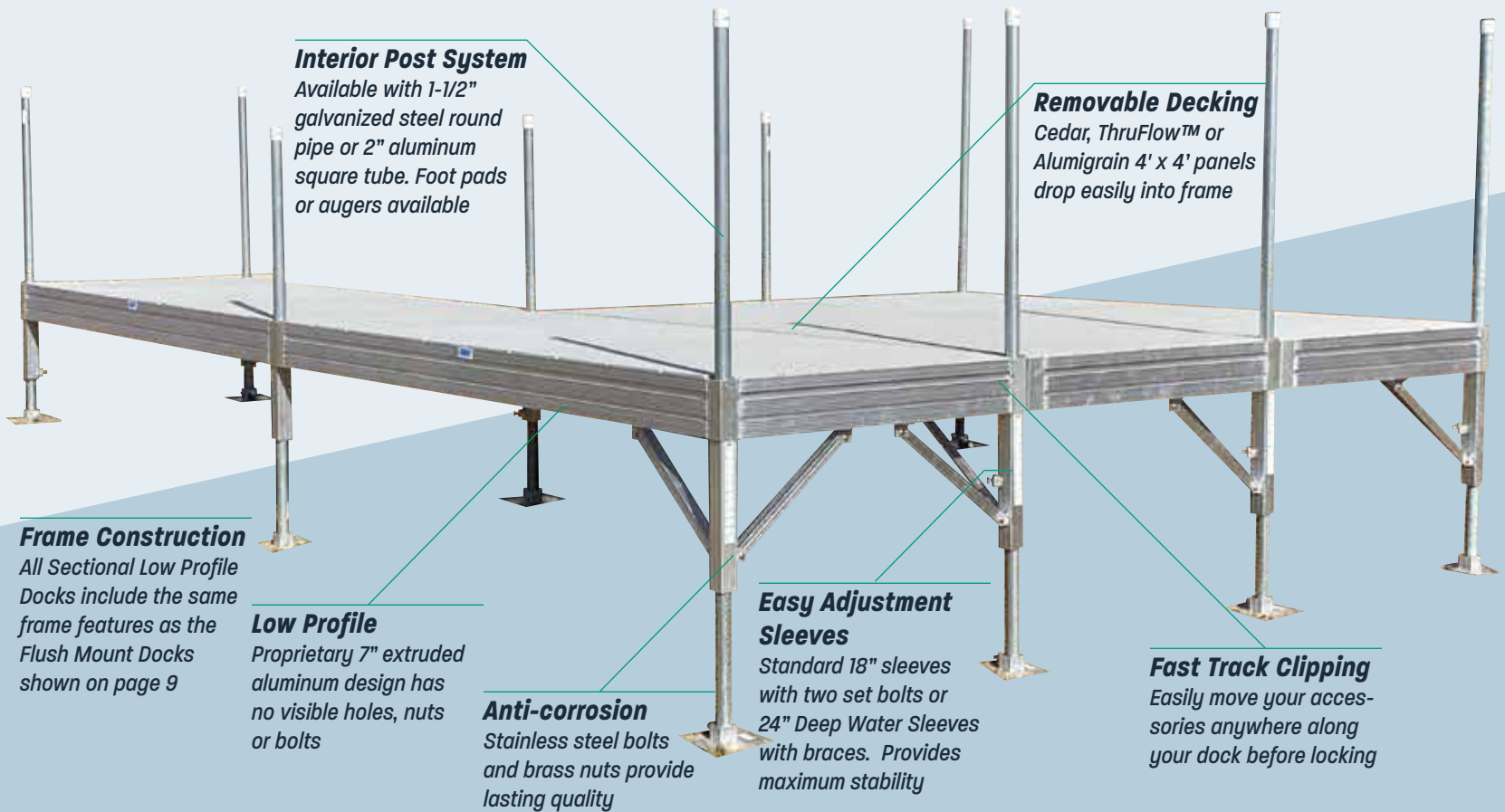
All Roll-in Low Profile Docks include the same frame features as the Flush Mount docks shown on page 9

Sectional

Low Profile Style Docks

Tackle challenging shorelines

Perfect for: steep banks and rugged lakeshore with consistent water levels



Interior Post System

Available with 1-1/2" galvanized steel round pipe or 2" aluminum square tube. Foot pads or augers available

Removable Decking

Cedar, ThruFlow™ or Alumigrain 4' x 4' panels drop easily into frame

Frame Construction

All Sectional Low Profile Docks include the same frame features as the Flush Mount Docks shown on page 9

Low Profile

Proprietary 7" extruded aluminum design has no visible holes, nuts or bolts

Anti-corrosion

Stainless steel bolts and brass nuts provide lasting quality

Easy Adjustment Sleeves

Standard 18" sleeves with two set bolts or 24" Deep Water Sleeves with braces. Provides maximum stability

Fast Track Clipping

Easily move your accessories anywhere along your dock before locking

Floating

Low Profile Style Docks

Steady and smart

Perfect for: muddy-bottom shorelines and/or deep or fluctuating water levels



Frame Construction

Floating Low Profile Docks include the same frame features as the Flush Mount docks shown on page 9

Self-leveling

Maintenance-free adjustment to changing water levels

Floats

Foam-filled polyethylene-covered floats support up to 450 pounds each

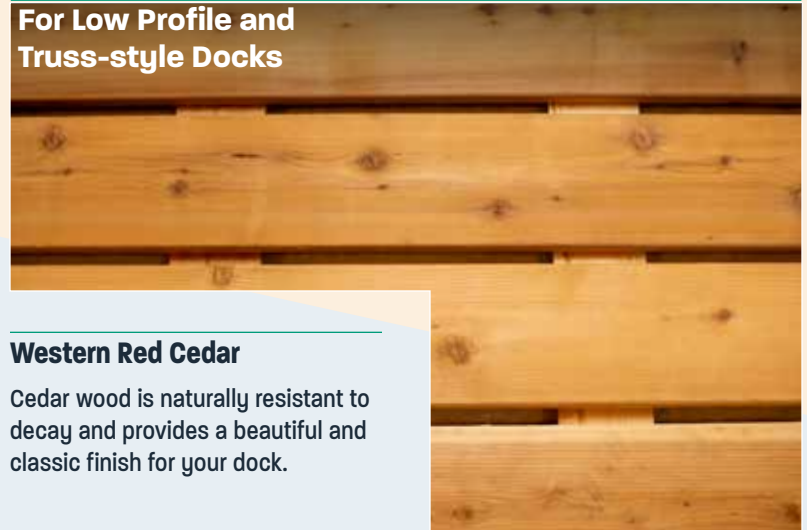
Decking

Your dream dock is waiting

Five durable decking options

Your dream dock deserves a beautiful deck built to last. Choose from one of our five durable decking options to complete the perfect dock. From slip-resistant, fiber-reinforced polypropylene to durable timeless Western Red Cedar, we've got your deck.

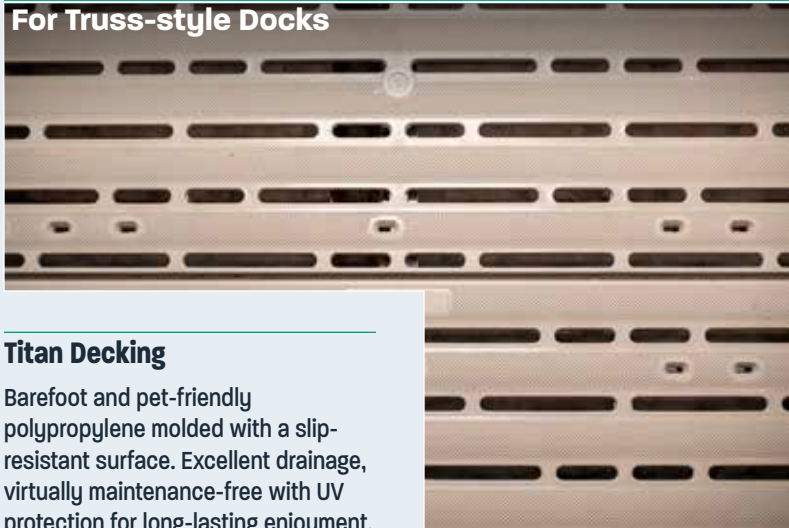
For Low Profile and Truss-style Docks



Western Red Cedar

Cedar wood is naturally resistant to decay and provides a beautiful and classic finish for your dock.

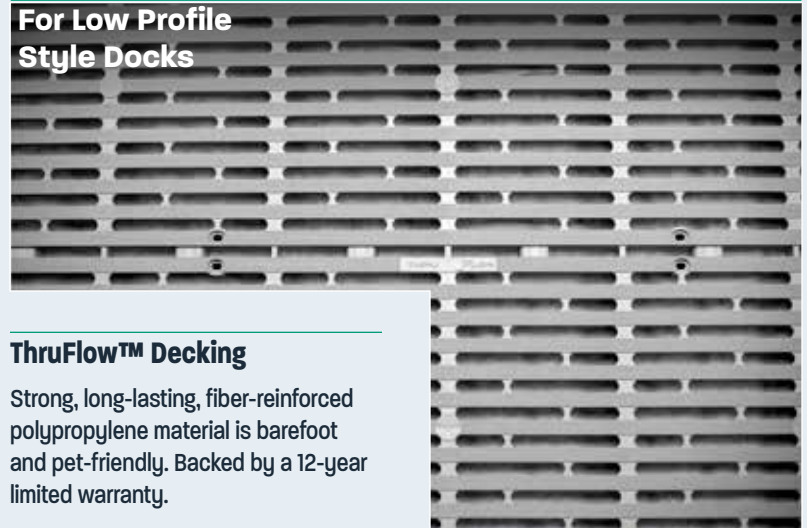
For Truss-style Docks



Titan Decking

Barefoot and pet-friendly polypropylene molded with a slip-resistant surface. Excellent drainage, virtually maintenance-free with UV protection for long-lasting enjoyment.

For Low Profile Style Docks



ThruFlow™ Decking

Strong, long-lasting, fiber-reinforced polypropylene material is barefoot and pet-friendly. Backed by a 12-year limited warranty.

Dock Accessories

For Low Profile Style Docks

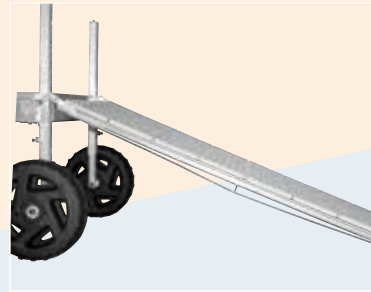
Red Cedar Alumigrain Decking

Powder coated and maintenance free, this aluminum decking mimics the classic look of Red Cedar on lightweight panels that stay cool to the touch.

For Low Profile Style Docks

Gray Birch Alumigrain Decking

Get all of the clean, rustic look of Gray Birch on easy, maintenance-free aluminum panels that stay cool to the touch.



Shore Ramp

4', 8' or 12' ramp with pivoting design allows a smooth transition from any shoreline to your dock



Adjustable Shore End Wheels

Make installation and leveling a breeze



Fixed Shore End Wheels

Help make installation and removal easier

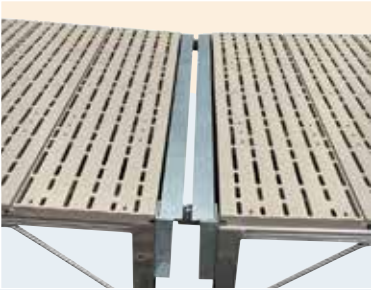


Tow Bar

Two-piece design with crossbar and removable tongue hook to ATV, truck or tractor with 1 7/8" ball coupler

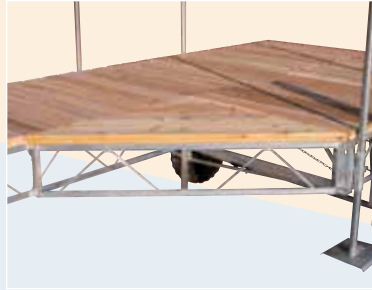
Dock Accessories

Your dream dock is waiting



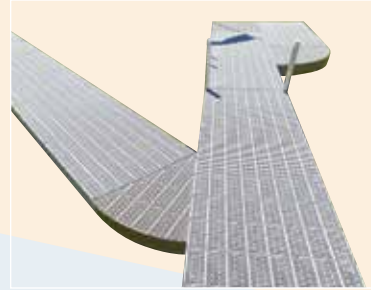
Hinge Assembly

Allows long docks with two or more wheels systems to articulate over uneven shoreline



Corner Sections

Want a little extra room? Add space easily to any L-shape dock



Curved Corners

Add style and function to your DAKA Dock with these radiused corners. Comes in 90 and 45 degree corners



Dock Furniture Set

Set includes two chairs, table, - each chair has a 250-pound weight limit



Adjustment Winches

Easily raise and lower your dock to changing water levels with heavy duty winches; sold in pairs



Sway Brace

Add support to any 4' wide dock



Swimming Ladder

Add a 3 or 4 rung aluminum ladder anywhere on your dock to get in and out of the water with ease



Stair System

Stairs are 2' wide with handrails on both sides, making this stair safe and convenient

Dock Accessories



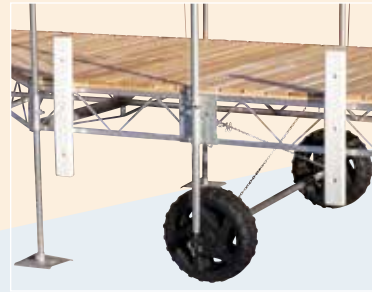
Bench

There's nothing better than relaxing or fishing with safe and sturdy dock seating - cup holders available



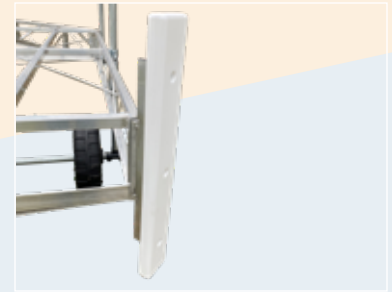
Storage Rack

Adjustable storage rack for kayaks, paddle boards, and canoes. Stores two items, maximum weight 200 pounds



Deluxe Bumpers

Protect your pontoon or boat with non-marring plastic bumpers that are easy to mount anywhere. For both truss and low profile docks and vertical or horizontal orientation



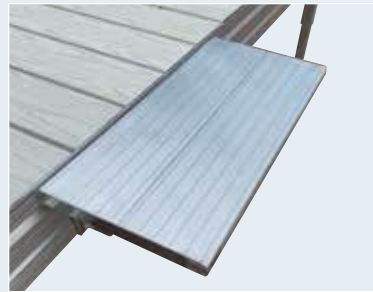
45° Vertical Corner Bumpers

These bumpers sit at a 45 degree angle on the outside corners of your dock providing great protection for your boat



Rod Holder

Drink a beer and reel in that big fish at the same time with this awesome rod holder. Installation is easy and quick (For low profile docks only)



Dock Side Extension

Dock side extension helps bridge the gap between the dock and the boat, making it easier for people to step on and off



Mooring Ring

Conveniently tie off to this sturdy and safe all-aluminum mooring ring (For low profile docks only)



Dock Cleat

Quickly and easily tie down your boat with this aluminum dock cleat

Dock Specs

Compare all dock configurations and options

Truss-style Docks

Material	Height	Size	Weight	Finish	Decking	Adjustability	Max Span	Warranty
Aluminum	12"	4'x8'	51 lb	NA	Red Cedar, Titan	64"	24'	15 year
Steel	12"	4'x8'	83 lb	Galvanized, Painted Steel	Red Cedar, Titan	64"	32'	10 year

Roll-in Truss-style Dock

Where to use

Hard, sandy, rocky lake bottoms and gradual-slope lakeshore

Features

- + Our #1 selling dock
- + Rotomolded plastic wheels
- + Support poles
- + Classic winch adjust system

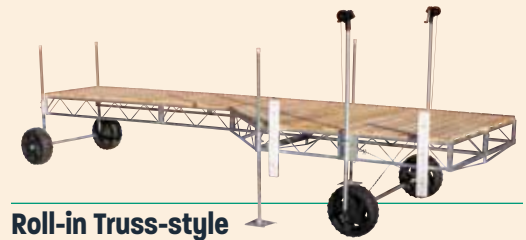
Floating Truss-style Dock

Where to use

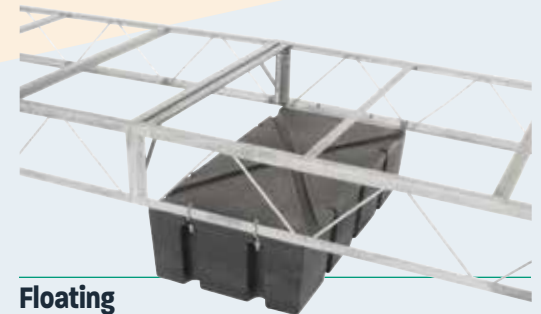
Lakeshores with changing water levels, swift currents, or muddy bottoms

Features

- + Can adapt to any environment
- + Self-leveling
- + Foam-filled polyethylene-covered floats support up to 450 pounds each
- + May be equipped with permanent wheel systems to assist movement



**Roll-in Truss-style
Classic Winch Adjust Dock**



**Floating
Truss-style Dock**

Dock Specs

Low Profile Style Docks

Material	Height	Size	Weight	Decking	Adjustability	Max Span	Warranty
Extruded Aluminum	7"	4'x8'	75 lb	Red Cedar,	Flush Mount easy adjust: 32"	16'	15 year
		4'x10'	80 lb	Red Cedar			
		4'x12'	107 lb	or Gray Birch	Above Deck easy adjust: 32"		
		4'x16'	134 lb	Alumigrain,	Classic Winch adjust: 60"		
		5'x12'	121 lb	Thru-Flow™			

Roll-in Low Profile Dock

Where to use

Hard, sandy, rocky lake bottoms and gradual-slope lakeshore

Features

- + Anti-sway frame design
- + Triple-braced wheel-end legs offer maximum support
- + Hinge system allows for one-piece install and removal of longer docks

Leg options

Adjust Tool

Easy Adjust

Manual Adjust

Max Distance

Flush Mount Easy Adjust	Cordless Drill	16"	16"	32"
Above Deck Easy Adjust	Cordless Drill	32"	NA	32"
Classic Winch Adjust	Easy Hand Crank Winch	NA	60"	60"

Sectional Low Profile Dock

Where to use

Steep drops and rugged shoreline, quick drop-offs

Features

- + Quick connect brackets make connecting and removing sections easy
- + Sections can be stacked during off-season
- + Support poles with adjustable height

Floating Low Profile Dock

Where to use

Lakeshores with changing water levels, swift currents, or muddy bottoms

Features

- + Foam-filled float drums attached underneath, with no exposed fasteners
- + Easy to install anchoring poles
- + Self-leveling



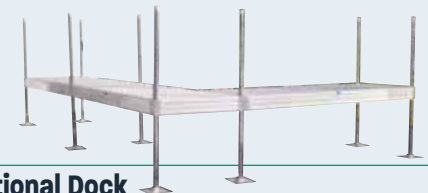
Roll-in Flush Mount Easy Adjust Dock



Roll-in Above Deck Easy Adjust Dock



Roll-in Classic Winch Adjust Dock



Sectional Dock





Vertical Lifts

SAFE, SECURE, AND EASY TO USE

Make the most of your time on the lake by lifting your boat or pontoon up and out of the water without worry. DAKA's secure vertical lifts not only protect your boat from water conditions, they are safe, easy to use, and adapt to fluctuating water depths. These lifts can handle weight ranges from 1,600 to 8,000 pounds. Made with stainless steel cables, bushings, and bolts, our durable marine-grade aluminum lifts are built to last; and they come with a 15-year warranty.

Boat & Pontoon Lifts

Vertical Lifts

Smooth operation without fail

Our lifts are built with marine-grade aluminum, and stainless steel cables and fasteners to ensure years of smooth operation. DAKA lifts feature up to 61" of lifting height. Easy Adjust leveling legs can be adjusted simply using a cordless drill.

Cradle your boat with one of these bunk material options including aluminum standard, full-length aluminum/vinyl, full-length carpeted, or a wooden pontoon bunk kit. Additional options available to accommodate any boat.



Easy Adjust Legs Option

Leveling your boat lift is worry-free with easy adjust legs that require only a cordless drill to move. Plus, make your adjustments topside, no need to get into the water. Easy adjustment above the water up to 30".



Standard Features

- + Nylatron pulleys with stainless steel bushings
- + Designed with replaceable pieces
- + All stainless steel cables pre-strung in tubes
- + Marine-grade extruded aluminum tubes
- + Easy-to-crank aluminum winch box won't rust
- + Different style bunks available

DAKA Hydraulic Lifts

The Hydraulic cylinder located above the water line pulls the cables reducing wear and tear. The 12-volt hydraulic pump and battery are located in an easy-to-access aluminum box. Powered by an optional hassle-free 25- or 45-watt solar panel.

Lift Specs

Compare lift specifications

Vertical Lifts

	Hydraulic										
Model	C1460	V1465	V1684	V2096	KDV2596	KDV25120	KDV3120	KDV4120	KDV5120	KDVH5120	KDV6120
Capacity (lb)	1400	1400	1600	2000	2500	2500	3000	4000	5000	5000	6000
Inside width	60"	65"	84"	96"	96"	120"	120"	120"	120"	120"	120"
Outside width	68"	73"	93"	107"	107"	128"	133"	134"	134"	134"	136"
Outside length	92"	84"	93"	107"	107"	134"	134"	137"	137"	137"	137"
Weight (lb)	115	200	295	315	335	350	350	450	470	550	545
Lifting height	24"	53"	53"	53"	53"	54"	61"	61"	61"	42"	61"
Easy adjust legs	n/a	n/a	Optional	Optional	Optional	Optional	Optional	Optional	Optional	Optional	Optional
Power (Optional)	AC/DC	AC/DC	AC/DC	AC/DC	AC/DC	AC/DC	AC/DC	AC/DC	AC/DC	Hydraulic 12V	AC/DC
Canopy size	n/a	13'	20'	20' & 22'	20' & 22'	20' to 32'	20' to 32'	20' to 32'	20' to 32'	20' to 32'	20' to 32'

Extra Long Vertical Lifts

	Hydraulic				Hydraulic	
Model	KDVL4120	KDVL5120	KDVLH5120	KDVL6120	KDVL7120	KDVL8120
Capacity (lb)	4000	5000	5000	6000	7000	8000
Inside width	120"	120"	120"	120"	120"	120"
Outside width	134"	134"	134"	136"	136"	137"
Outside length	179"	179"	179"	179"	179"	179"
Weight (lb)	493	513	593	545	694	754
Lifting height	61"	61"	52"	61"	52"	60"
Easy adjust legs	Optional	Optional	Optional	Optional	Optional	n/a
Power (Optional)	AC/DC	AC/DC	Hydraulic 12V	AC/DC	Hydraulic 12V	Hydraulic 12V
Wireless Remote	Optional	Optional	Standard	Optional	Standard	Standard
Blue Tooth	Optional	Optional	N/A	Optional	Standard	Standard
Solar Panel	Optional	Optional	25 Watt	Optional	45 Watt	45 Watt
Canopy size	20' up to 32'	20' up to 32'	20' up to 32'	20' up to 32'	20' up to 32'	20' up to 32'



Drive-On PWC Lift

Connect-A-Port Floating jet ski lifts can handle the largest personal water craft up to 2,000 pounds. Drive on/roll off with ease, equipped with 12 individual rollers and a bow stop. Rotationally molded from ultra-tough polyethylene, this lift keeps your PWC high and dry. The 6 foot width gives enough room to walk around and easily install your cover. Measurements: 156" long, 72" wide, 23" high.

Lift Accessories

Your vertical lift can rise to any occasion



Electric Winch Drives

Replace the crank wheel on any DAKA lift (12V, 24V, and 110V models)
Optional remote control/Bluetooth and canopy lights



Solar Panel and Battery Tray

Go green with solar to power your 10W/12V or 20W/24V electric winch



Boat Lift Wheel Kit

Make installation and removal easier with bolt-on wheel and mounting plates



Boarding Platform

Bridge the gap between your dock and boat so passengers may board safely



Pontoon Bow Stop

Make it easier to park your pontoon like a pro. Stop the pontoon perfectly under the canopy every time. Pull up and stop. That simple.



Easy Park System

For tow boats, runabouts or pontoons. PVC post gently guide your boat into place, with an optional bow stop to land your boat perfectly



Sunblocker Canopy Curtains

Add extra protection for your boat and pontoon with this 5' side curtain



Free Standing Canopy

Works great for pontoons that are equipped with lifting legs. Four and six post systems available. DAKA canopies sold separately

Canopies

Vertical Lifts



Performance and protection

Our aluminum canopy frames protect your boats and pontoons from the damaging effects of the sun's UV rays and other extreme weather conditions. Measuring 34" from top to bottom, our canopies leave nothing to chance. Choose a standard or custom color for great visual appeal. Highly water repellent, resistant to mildew. Five-year warranty.

Available lengths

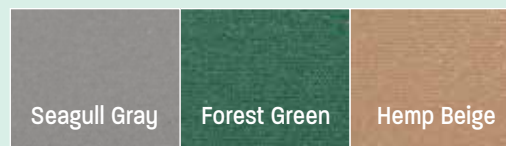
13', 20', 22', 24', 26', 28', 30', 32'



Standard Features

- + Vented ends, multiple sizes available
- + Support bows located every two feet
- + Deep sides for greater protection
- + Acrylic-coated marine polyester & welded seams
- + Long-lasting color, exceptional abrasion resistance
- + Heavy-duty shock cords and webbing
- + Easy on & off design

Standard Colors



- + Custom colors available

Maverick Tower Extra Deep Canopy

The DAKA fully vented canopy offers your boat the best protection from the elements. Extremely deep 46" sides keep the sun and weather out. Fully vented mesh ends and the vented side strip allow for air movement.

