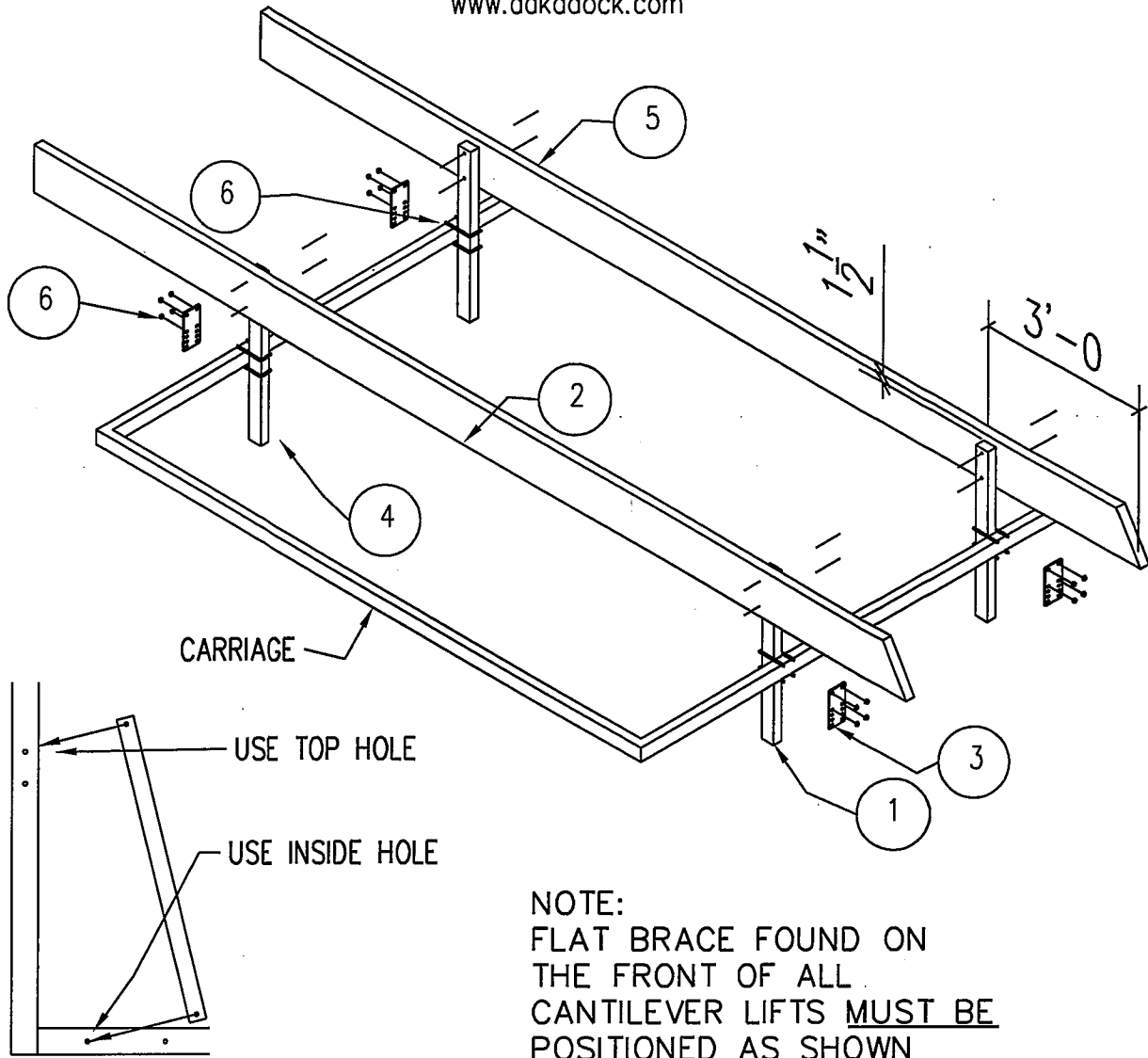


# BOLT BAG # 41265

## #2065(WA) PONTOON BUNKS WOOD/ALUMINUM



955 INDUSTRIAL STREET N.E. PINE CITY, MINNESOTA 55063  
 320-629-6737 (OFFICE) • 320-629-3677 (FAX)  
 www.dakadock.com



**NOTE:**  
 FLAT BRACE FOUND ON  
 THE FRONT OF ALL  
 CANTILEVER LIFTS MUST BE  
POSITIONED AS SHOWN

KEY#	DESCRIPTION	PART#	QUANTITY
1.	TUBES ALUMINUM 36" LONG (SET of 4)	42066	1
2.	WOOD BUNKS 2X10X18'	82002065	2
3.	MOUNTING PLATES ALUM.	83832061	4
	<b>BOLT BAG</b>	41265	1
4.	SQUARE U-BOLTS 2X6X3/8	UB3821865	8
5.	CARRIAGE BOLTS 3/8X4	CB384	8
6.	3/8 FLANGE NUTS	FLN38	24
7.	INSTRUCTIONS FOR 2065WA	6682065W	1
8.	PLASTIC BAG 7X15X6MIL	69680010	1