

# HARDWARE BAG #41194WC

## #2075WC / XL FULL LENGTH BOAT BUNK - W/C



955 INDUSTRIAL STREET N.E. PINE CITY, MN 55063  
 320-629-6737 (OFFICE) • 320-629-3677 (FAX)  
 www.dakadock.com

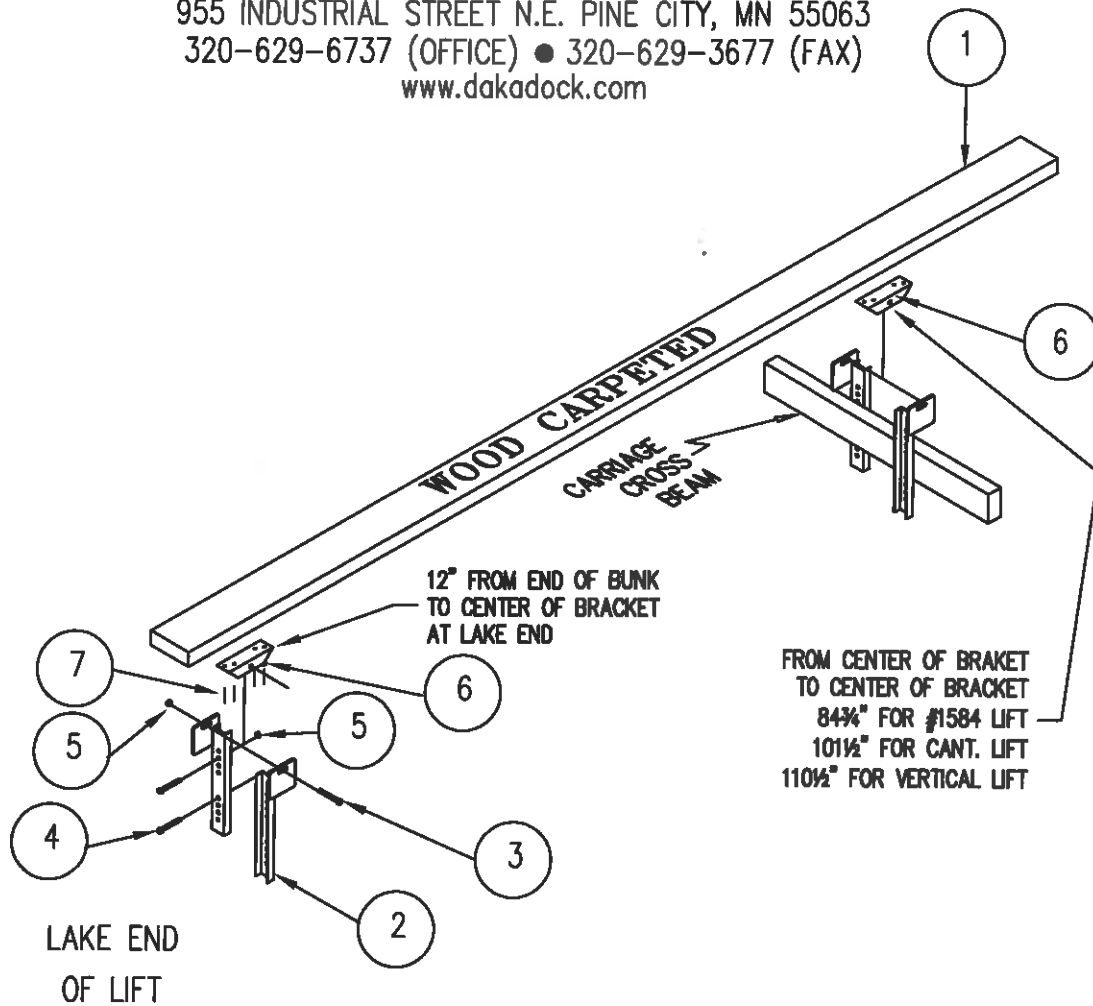


Fig. 1

KEY#	DESCRIPTION	PART#	QUANTITY
1.	BUNK, FULL LENGTH CARPETED	822075WC	2
	HARDWARE BAG (inc #2)	41194/41194XL	1
2.	CHANNEL BRACKET-ALUMINUM STD. 14"/ XL 20"	83841194/83841195	8
	BOLT BAG	411941	1
3.	CARRIAGE BOLTS-3/8"x3"	CB383	4
4.	HEX BOLTS-3/8"x3"	HB383	8
5.	FLANGE NUTS-3/8"	FLN38	12
	BOLT BAG	41194WC	1
6.	MOUNTING TUBE - WOOD CARPET ONLY	83822075	4
7.	HEX WASHER HEAD TAPPING SCREW #14x 1 1/2"	SCT#14112	16
8.	INSTRUCTION FOR FULL LENGTH BUNK WC STD. / XL	66882075WC	1



## **ASSEMBLY INSTRUCTIONS #2075WC, 2075WCXL (Wood/Carpeted)**

1. When installing full-length carpeted bunks, the first step is to install the mounting brackets (Key 6) to the back side of the carpeted boards using four wood screws (Key 7) per bracket. Install the rear-mounting bracket first. Locate this bracket approximately 12" in from the end of the carpeted board. Next, measure from the center on the rear mounting bracket to the mounting location of the front bracket using the following dimensions:
  - C1584 cantilever lift: locate center of front mounting bracket 84- $\frac{3}{4}$ " forward.
  - All other cantilever lifts: mount front bracket 101- $\frac{1}{2}$ " from center of rear bracket.
  - All vertical lifts: mount front bracket 110- $\frac{1}{2}$ " from center of rear bracket.

**NOTE:** All dimensions are from center on rear bracket to center of-front bracket.

2. Once the channel brackets (Key 2) have been installed on the full-length bunks, place bunks on lift. Slide channel brackets (Key 2) over front and rear carriage cross beams. Secure in place using the hex bolts 3/8" x 3" (Key 4) and flange nuts 3/8" (Key 5)

**NOTE:** By positioning the 3/8" hex bolt (Key 4) in different holes, the angle and height of the bunk will change.