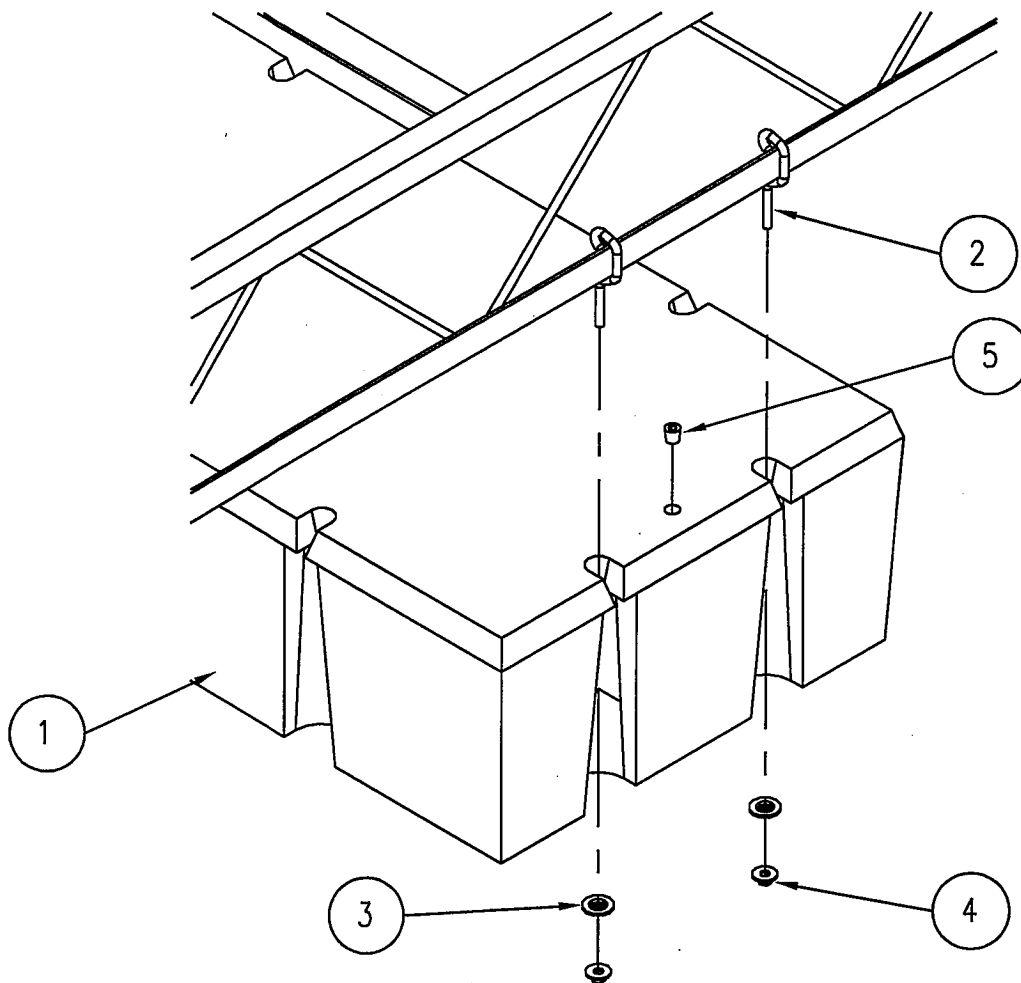


BOLT BAG #44448 #4448WU FLOAT DRUM



955 INDUSTRIAL STREET N.E. PINE CITY, MINNESOTA 55063
320-629-6737 (OFFICE) • 320-629-3677 (FAX)
www.dakadock.com



KEY#	DESCRIPTION	PART#	QUANTITY
1.	FLOAT DRUM 24" X 48" X 12"	4448WU	1
	BOLT BAG	44448	1
2.	J BOLTS $\frac{3}{8}$	JB38FD	4
3.	DOME WASHERS $\frac{3}{8}$	DW38	4
4.	FLANGE NUT $\frac{3}{8}$	FLN38	4
5.	VENT PLUG		1
6.	INSTRUCTIONS	66884448	1
7.	PLASTIC BAG (6X10X6mil)	69660027	1

ASSEMBLY INSTRUCTIONS

1. Store float drum upside down when not in use. This allows drum to dry out and also prevents water from entering through top vent hole. (Do not insert vent plug at this time).
2. When ready to use float drum, drain any water that may have seeped inside inadvertently and then insert vent plug.
3. Apply silicone or pipe sealer on vent plug.
4. Use a 5/16" allen wrench to install the vent plug.
5. Thread vent plug in float drum until the top of the plug is level with the top of the float drum.
6. Mount float drums under section using four "J" bolts, four dome washers, and four flange nuts. The following layouts are for example only. Float drum location may vary due to water depth and/or dock configuration.
7. When installing or removing dock, lift the dock sections—do not slide! Sliding float drums may result in puncturing or wearing a hole in the wall of the float drum.
8. In areas where severe ice movement occurs, docks must be removed during winter months.

The wider the end section, the more stable any floating dock will be. We recommend having a 12' wide end section for the best stability, although 8' wide may be applicable in some situations. Below are some different layouts that are available.

